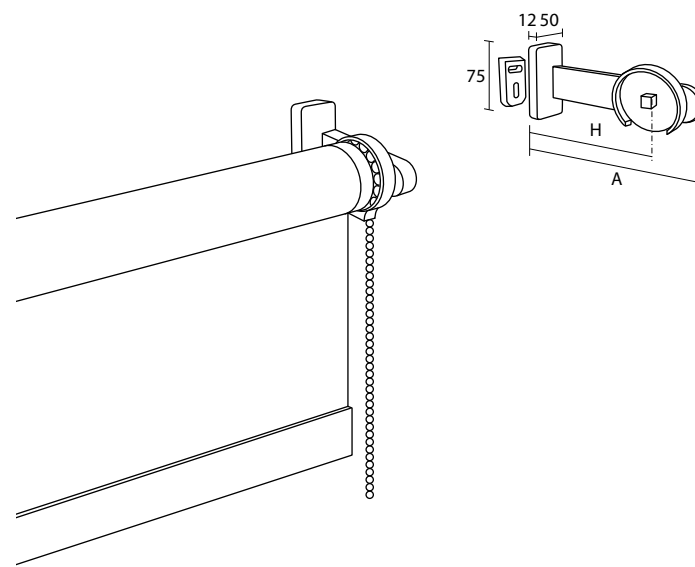
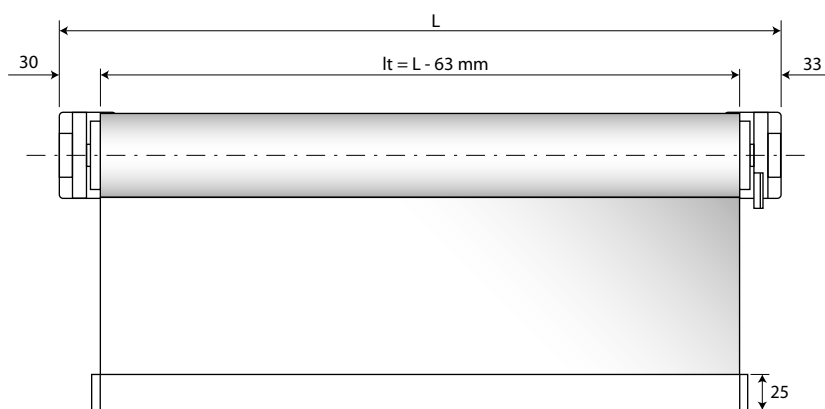






COMETA MAXI



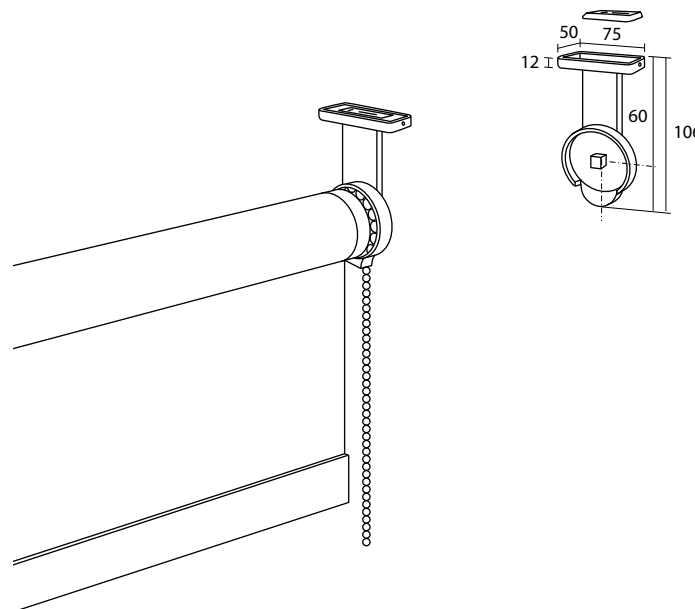
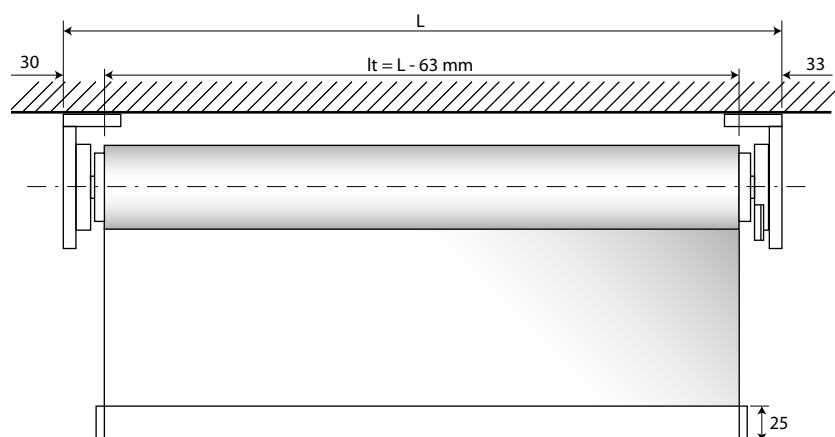
Cod. 753A19...SX / DX

Sistema a parete
Wall system

Système de face
Wandmontage

Sistema pared
System ścienny

| Cod. | 753419SX / DX | 753429SX / DX | 753439SX / DX |
|--------|---------------|---------------|---------------|
| A - mm | 106 | 157 | 177 |
| H - mm | 60 | 109 | 129 |



Cod. 753T29

Sistema a soffitto
Ceiling system

Système plafond
Deckenmontage

Sistema techo
System sufitowy



25



65



67



312

A = Sporgenza supporto - Bracket's projection - Retour support - Träger Abstand - Escuadra de separación - Występ wspornika
H = Distanza parete - Wall distance - Retour du mur - Wand Abstand - Distancia pared - Odległość od ściany
L = Larghezza sistema (cm) - System width (cm) - Largeur système (cm) - Gesamtbreite (cm) - Ancho sistema (cm) - Szerokość systemu (cm)
lt = Larghezza singolo tessuto - Fabric width per unit - Largeur chaque toile - Stoff Breite - Ancho de cada tejido - Szerokość pojedynczej tkaniny

FIN 25 - 312

Supporti - Brackets - Supports - Träger - Soportes - Wsporniki Cod. 753419 - 753529

| L - cm CT | 80 | | | | | | 100 | | | | | | 120 | | | | | | 140 | | | | | |
|--------------|--------|---|---|---|---|---|-----|---|---|---|---|---|-----|---|---|---|---|---|-----|---|---|---|---|---|
| | A | B | C | D | E | F | A | B | C | D | E | F | A | B | C | D | E | F | A | B | C | D | E | F |
| 120 | C - cm | | | | | | | | | | | | | | | | | | | | | | | |
| 140 | | | | | | | | | | | | | | | | | | | | | | | | |
| 160 | | | | | | | | | | | | | | | | | | | | | | | | |
| 180 | | | | | | | | | | | | | | | | | | | | | | | | |
| 200 | | | | | | | | | | | | | | | | | | | | | | | | |
| 220 | | | | | | | | | | | | | | | | | | | | | | | | |
| 240 | | | | | | | | | | | | | | | | | | | | | | | | |
| 260 | | | | | | | | | | | | | | | | | | | | | | | | |
| 280 | | | | | | | | | | | | | | | | | | | | | | | | |
| 300 | | | | | | | | | | | | | | | | | | | | | | | | |

| L - cm CT | 160 | | | | | | 180 | | | | | | 200 | | | | | | 220 | | | | | |
|--------------|--------|---|---|---|---|---|-----|---|---|---|---|---|-----|---|---|---|---|---|-----|---|---|---|---|---|
| | A | B | C | D | E | F | A | B | C | D | E | F | A | B | C | D | E | F | A | B | C | D | E | F |
| 120 | C - cm | | | | | | | | | | | | | | | | | | | | | | | |
| 140 | | | | | | | | | | | | | | | | | | | | | | | | |
| 160 | | | | | | | | | | | | | | | | | | | | | | | | |
| 180 | | | | | | | | | | | | | | | | | | | | | | | | |
| 200 | | | | | | | | | | | | | | | | | | | | | | | | |
| 220 | | | | | | | | | | | | | | | | | | | | | | | | |
| 240 | | | | | | | | | | | | | | | | | | | | | | | | |
| 260 | | | | | | | | | | | | | | | | | | | | | | | | |
| 280 | | | | | | | | | | | | | | | | | | | | | | | | |
| 300 | | | | | | | | | | | | | | | | | | | | | | | | |

| L - cm CT | 240 | | | | | | 260 | | | | | | 280 | | | | | | | | | | | |
|--------------|--------|---|---|---|---|---|-----|---|---|---|---|---|-----|---|---|---|---|---|--|--|--|--|--|--|
| | A | B | C | D | E | F | A | B | C | D | E | F | A | B | C | D | E | F | | | | | | |
| 120 | C - cm | | | | | | | | | | | | | | | | | | | | | | | |
| 140 | | | | | | | | | | | | | | | | | | | | | | | | |
| 160 | | | | | | | | | | | | | | | | | | | | | | | | |
| 180 | | | | | | | | | | | | | | | | | | | | | | | | |
| 200 | | | | | | | | | | | | | | | | | | | | | | | | |
| 220 | | | | | | | | | | | | | | | | | | | | | | | | |
| 240 | | | | | | | | | | | | | | | | | | | | | | | | |
| 260 | | | | | | | | | | | | | | | | | | | | | | | | |
| 280 | | | | | | | | | | | | | | | | | | | | | | | | |
| 300 | | | | | | | | | | | | | | | | | | | | | | | | |

Maggiorazioni - Surcharges - Suppléments - Zuschläge - Suplementos - Dodatkowa opłata

65 - 67

N&D

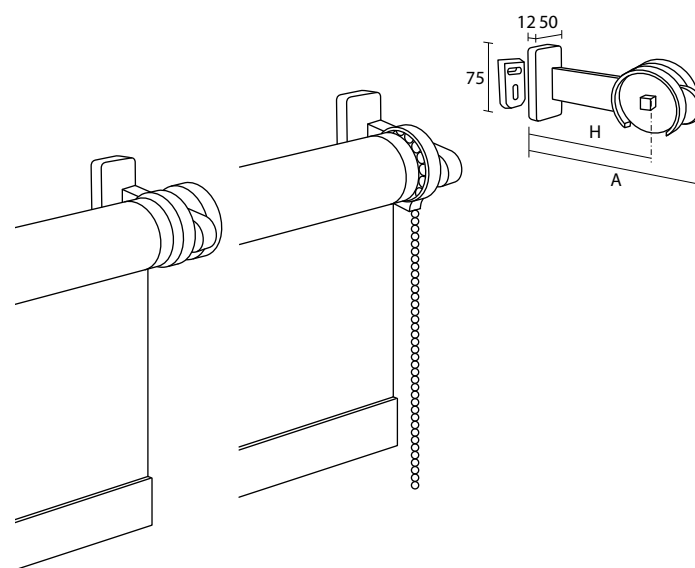
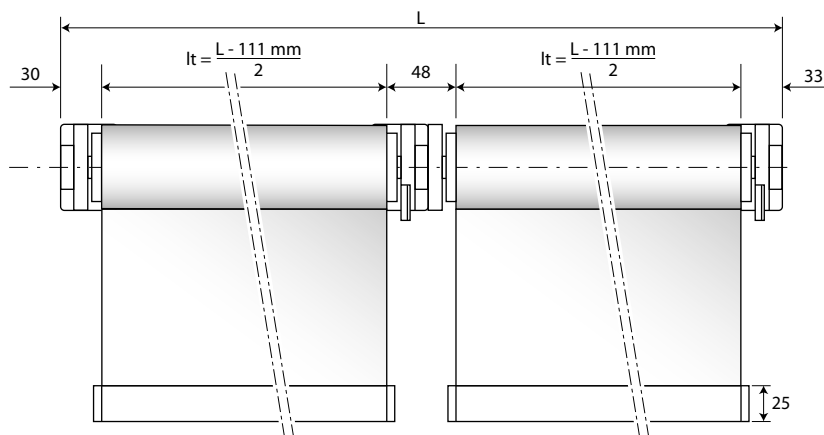
FIN = Finitura - Finish - Finition - Fertigung - Acabado - Wykończenie

L = Larghezza sistema (cm) - System width (cm) - Largeur système (cm) - Gesamtbreite (cm) - Ancho sistema (cm) - Szerokość systemu (cm)

CT = Classe tessuto - Fabric category - Catégorie tissu - Gewebegruppe - Categoría tejido - Klasa tkaniny

C = Altezza tessuto (cm) - Fabric height (cm) - Hauteur de la toile (cm) - Stoff Höhe (cm) - Altura tejido (cm) - Wysokość tkaniny (cm)

COMETA MAXI



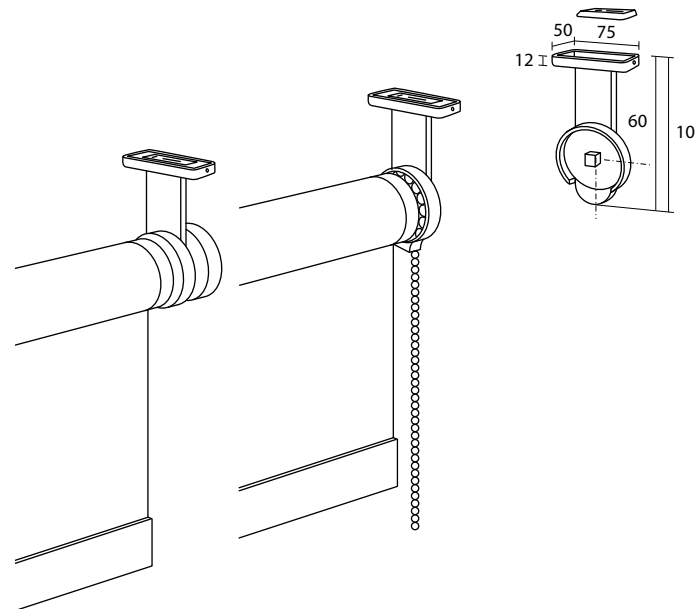
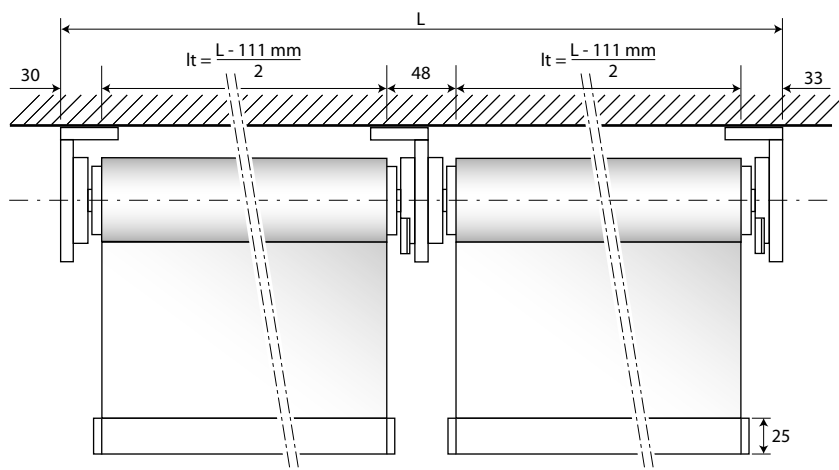
Cod. 753B14...SX / DX

Sistema continuo a parete
Wall consecutive system

Système continu de face
Wandssystem mit Seite an Seite Stoffen

Sistema pared continuo
System ścienny ciągły

| Cod. | 753419SX / DX | 753429SX / DX | 753439SX / DX |
|--------|---------------|---------------|---------------|
| A - mm | 106 | 157 | 177 |
| H - mm | 60 | 109 | 129 |



Cod. 753W24

Sistema continuo a soffitto
Ceiling consecutive system

Système continu plafond
Deckensystem mit Seite an Seite Stoffen

Sistema continuo techo
System sufitowy ciągły



25



65



67



312

A = Sporgenza supporto - Bracket's projection - Retour support - Träger Abstand - Escuadra de separación - Występ wspornika
H = Distancia parete - Wall distance - Retour du mur - Wand Abstand - Distancia pared - Odległość od ściany
L = Larghezza sistema (cm) - System width (cm) - Largeur système (cm) - Gesamtbreite (cm) - Ancho sistema (cm) - Szerokość systemu (cm)
lt = Larghezza singolo tessuto - Fabric width per unit - Largeur chaque toile - Stoff Breite - Ancho de cada tejido - Szerokość pojedynczej tkaniny

FIN 25 - 312

Supporti - Brackets - Supports - Träger - Soportes - Wsporniki Cod. 753419 - 753529

| L - cm CT | 200 | | | | | | 240 | | | | | | 280 | | | | | | 320 | | | | | |
|--------------|--------|---|---|---|---|---|-----|---|---|---|---|---|-----|---|---|---|---|---|-----|---|---|---|---|---|
| | A | B | C | D | E | F | A | B | C | D | E | F | A | B | C | D | E | F | A | B | C | D | E | F |
| 120 | C - cm | | | | | | | | | | | | | | | | | | | | | | | |
| 140 | | | | | | | | | | | | | | | | | | | | | | | | |
| 160 | | | | | | | | | | | | | | | | | | | | | | | | |
| 180 | | | | | | | | | | | | | | | | | | | | | | | | |
| 200 | | | | | | | | | | | | | | | | | | | | | | | | |
| 220 | | | | | | | | | | | | | | | | | | | | | | | | |
| 240 | | | | | | | | | | | | | | | | | | | | | | | | |
| 260 | | | | | | | | | | | | | | | | | | | | | | | | |
| 280 | | | | | | | | | | | | | | | | | | | | | | | | |
| 300 | | | | | | | | | | | | | | | | | | | | | | | | |

| L - cm CT | 360 | | | | | | 400 | | | | | | 440 | | | | | | 480 | | | | | |
|--------------|--------|---|---|---|---|---|-----|---|---|---|---|---|-----|---|---|---|---|---|-----|---|---|---|---|---|
| | A | B | C | D | E | F | A | B | C | D | E | F | A | B | C | D | E | F | A | B | C | D | E | F |
| 120 | C - cm | | | | | | | | | | | | | | | | | | | | | | | |
| 140 | | | | | | | | | | | | | | | | | | | | | | | | |
| 160 | | | | | | | | | | | | | | | | | | | | | | | | |
| 180 | | | | | | | | | | | | | | | | | | | | | | | | |
| 200 | | | | | | | | | | | | | | | | | | | | | | | | |
| 220 | | | | | | | | | | | | | | | | | | | | | | | | |
| 240 | | | | | | | | | | | | | | | | | | | | | | | | |
| 260 | | | | | | | | | | | | | | | | | | | | | | | | |
| 280 | | | | | | | | | | | | | | | | | | | | | | | | |
| 300 | | | | | | | | | | | | | | | | | | | | | | | | |

| L - cm CT | 520 | | | | | | 560 | | | | | | | | | | | | | | | | | |
|--------------|--------|---|---|---|---|---|-----|---|---|---|---|---|--|--|--|--|--|--|--|--|--|--|--|--|
| | A | B | C | D | E | F | A | B | C | D | E | F | | | | | | | | | | | | |
| 120 | C - cm | | | | | | | | | | | | | | | | | | | | | | | |
| 140 | | | | | | | | | | | | | | | | | | | | | | | | |
| 160 | | | | | | | | | | | | | | | | | | | | | | | | |
| 180 | | | | | | | | | | | | | | | | | | | | | | | | |
| 200 | | | | | | | | | | | | | | | | | | | | | | | | |
| 220 | | | | | | | | | | | | | | | | | | | | | | | | |
| 240 | | | | | | | | | | | | | | | | | | | | | | | | |
| 260 | | | | | | | | | | | | | | | | | | | | | | | | |
| 280 | | | | | | | | | | | | | | | | | | | | | | | | |
| 300 | | | | | | | | | | | | | | | | | | | | | | | | |

Maggiorazioni - Surcharges - Suppléments - Zuschläge - Suplementos - Dodatkowa opłata

65 - 67

N&D

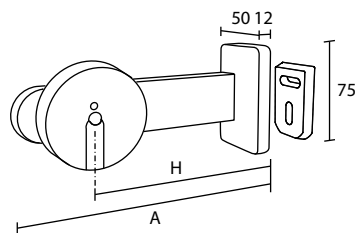
FIN = Finitura - Finish - Finition - Fertigung - Acabado - Wykończenie

L = Larghezza sistema (cm) - System width (cm) - Largeur système (cm) - Gesamtbreite (cm) - Ancho sistema (cm) - Szerokość systemu (cm)

CT = Classe tessuto - Fabric category - Catégorie tissu - Gewebegruppe - Categoría tejido - Klasa tkaniny

C = Altezza tessuto (cm) - Fabric height (cm) - Hauteur de la toile (cm) - Stoff Höhe (cm) - Altura tejido (cm) - Wysokość tkaniny (cm)

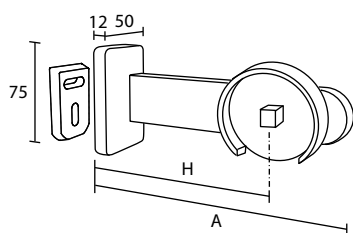
COMETA MAXI



7534--

Lato perno
Pivot side
Côté pivot

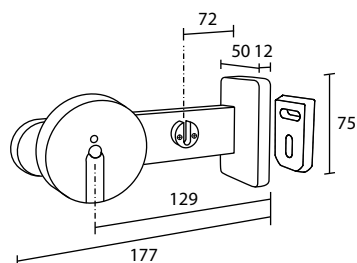
Träger Achseseite
Lado pivote
Strona czopa



7534--

Lato catena
Chain side
Côté chainette

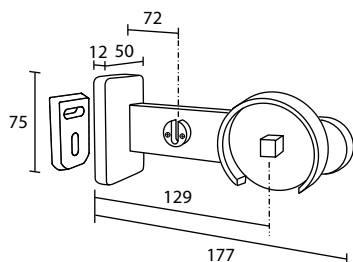
Träger Ketteseite
Lado cadena
Strona łańcuszka



753458 N&D

Lato perno
Pivot side
Côté pivot

Träger Achseseite
Lado pivote
Strona czopa



753459 N&D

Lato catena
Chain side
Côté chainette

Träger Ketteseite
Lado cadena
Strona łańcuszka

P = Lato perno - Pivot side - Côté pivot - Achseseite - Lado Pivote - Strona czopa
C = Lato catena - Chain side - Côté chainette - Ketteseite - Lado cadena - Strona łańcuszka

SISTEMA A PARETE - WALL SYSTEM - SYSTÈME DE FACE - WANDMONTAGE - SISTEMA PARED - SYSTEM ŚCIENNY

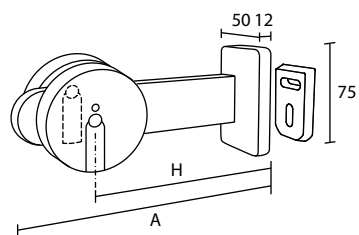
| Cod. | | 753418SX / DX | 753428SX / DX | 753438SX / DX |
|----------|--------|---------------|---------------|---------------|
| FIN | A - mm | 106 | 157 | 177 |
| | H - mm | 60 | 109 | 129 |
| 25 - 312 | | | | |
| 65 - 67 | | | | |

| Cod. | | 753419SX / DX | 753429SX / DX | 753439SX / DX |
|----------|--------|---------------|---------------|---------------|
| FIN | A - mm | 106 | 157 | 177 |
| | H - mm | 60 | 109 | 129 |
| 25 - 312 | | | | |
| 65 - 67 | | | | |

| Cod. | | 753458SX / DX |
|----------|--|---------------|
| FIN | | |
| 25 - 312 | | |
| 65 - 67 | | |

| Cod. | | 753459SX / DX |
|----------|--|---------------|
| FIN | | |
| 25 - 312 | | |
| 65 - 67 | | |

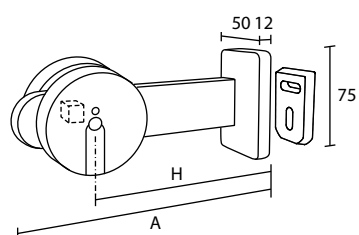
COMETA MAXI



7536--

Intermedio P/P
Middle P/P
Intermédiaire P/P

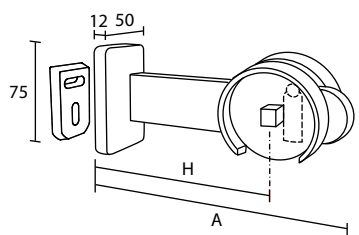
Mittelträger P/P
Intermedio P/P
Środkowy P/P



7537--

Intermedio P/C
Middle P/C
Intermédiaire P/C

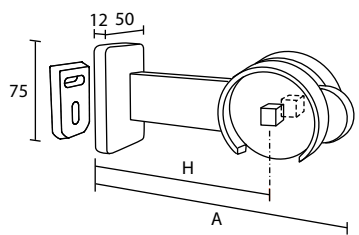
Mittelträger P/C
Intermedio P/C
Środkowy P/C



7538--

Intermedio C/P
Middle C/P
Intermédiaire C/P

Mittelträger C/P
Intermedio C/P
Środkowy C/P



7539--

Intermedio C/C
Middle C/C
Intermédiaire C/C

Intermedio C/C
Middle C/C
Intermédiaire C/C

P = Lato perno - Pivot side - Côté pivot - Achsesseite - Lado Pivote - Strona czopa
C = Lato catena - Chain side - Côté chainette - Ketteseite - Lado cadena - Strona łańcuszka

SISTEMA A PARETE - WALL SYSTEM - SYSTÈME DE FACE - WANDMONTAGE - SISTEMA PARED - SYSTEM ŚCIENNY

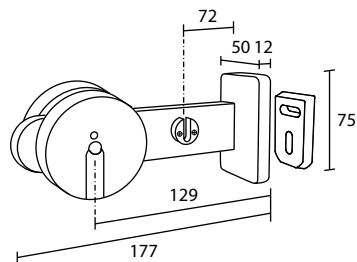
| Cod. | | 753614SX / DX | 753624SX / DX | 753634SX / DX |
|----------|--------|---------------|---------------|---------------|
| FIN | A - mm | 106 | 157 | 177 |
| | H - mm | 60 | 109 | 129 |
| 25 - 312 | | | | |
| 65 - 67 | | | | |

| Cod. | | 753714SX / DX | 753724SX / DX | 753734SX / DX |
|----------|--------|---------------|---------------|---------------|
| FIN | A - mm | 106 | 157 | 177 |
| | H - mm | 60 | 109 | 129 |
| 25 - 312 | | | | |
| 65 - 67 | | | | |

| Cod. | | 753814SX / DX | 753824SX / DX | 753834SX / DX |
|----------|--------|---------------|---------------|---------------|
| FIN | A - mm | 106 | 157 | 177 |
| | H - mm | 60 | 109 | 129 |
| 25 - 312 | | | | |
| 65 - 67 | | | | |

| Cod. | | 753914SX / DX | 753924SX / DX | 753934SX / DX |
|----------|--------|---------------|---------------|---------------|
| FIN | A - mm | 106 | 157 | 177 |
| | H - mm | 60 | 109 | 129 |
| 25 - 312 | | | | |
| 65 - 67 | | | | |

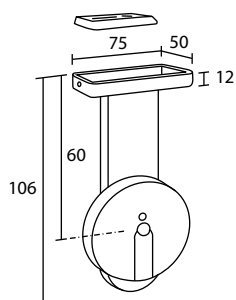
COMETA MAXI



753615 N&D

Intermedio P/P
Middle P/P
Intermédiaire P/P

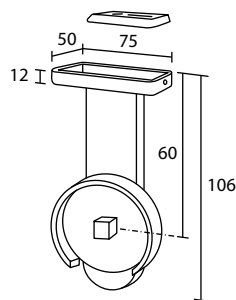
Mittelträger P/P
Intermedio P/P
Środkowy P/P



753528

Lato perno
Pivot side
Côté pivot

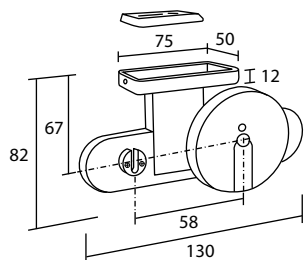
Träger Achseseite
Lado pivote
Strona czopa



753529

Lato catena
Chain side
Côté chainette

Träger Ketteseite
Lado cadena
Strona łańcuszka



753538 N&D

Lato perno
Pivot side
Côté pivot

Träger Achseseite
Lado pivote
Strona czopa

P = Lato perno - Pivot side - Côté pivot - Achseseite - Lado Pivote - Strona czopa
C = Lato catena - Chain side - Côté chainette - Ketteseite - Lado cadena - Strona łańcuszka

SISTEMA A PARETE - WALL SYSTEM - SYSTÈME DE FACE - WANDMONTAGE - SISTEMA PARED - SYSTEM ŚCIENNY

Cod. 753615SX / DX

FIN
25 - 312
65 - 67

SISTEMA A SOFFITTO - CEILING SYSTEM - SYSTÈME PLAFOND - DECKENMONTAGE - SISTEMA TECHO - SYSTEM SUFITOWY

Cod. 753528

FIN
25 - 312
65 - 67

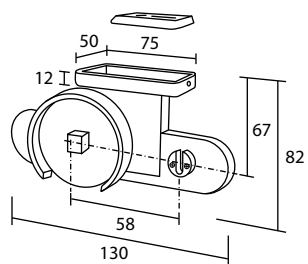
Cod. 753529

FIN
25 - 312
65 - 67

Cod. 753538

FIN
25 - 312
65 - 67

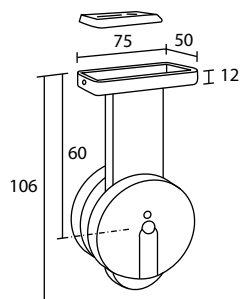
COMETA MAXI



753539 N&D

Lato catena
Chain side
Côté chainette

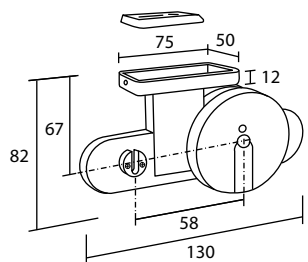
Träger Ketteseite
Lado cadena
Strona łańcuszka



753534

Intermedio P/P
Middle P/P
Intermédiaire P/P

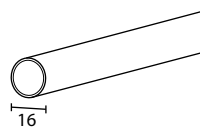
Mittelträger P/P
Intermedio P/P
Środkowy P/P



753535 N&D

Intermedio P/P
Middle P/P
Intermédiaire P/P

Mittelträger P/P
Intermedio P/P
Środkowy P/P



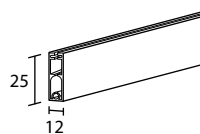
164100

Peso
Weight bar
Barre de lestage
Beschwerungsprofil
Perfil contrapeso
Obciążnik



163055

Tappo per peso
Endcap for weight bar
Bouchon pour barre de lestage
Endkappe Für Beschwerungsprofil
Tapón para contrapeso
Zaślepka obciążnika



253120

Peso
Weight bar
Barre de lestage
Beschwerungsprofil
Perfil contrapeso
Obciążnik



253135

Tappo per peso
Endcap for weight bar
Bouchon pour barre de lestage
Endkappe Für Beschwerungsprofil
Tapón para contrapeso
Zaślepka obciążnika

P = Lato perno - Pivot side - Côté pivot - Achsesseite - Lado Pivote - Strona czopa

C = Lato catena - Chain side - Côté chainette - Ketteseite - Lado cadena - Strona łańcuszka

SISTEMA A SOFFITTO - CEILING SYSTEM - SYSTÈME PLAFOND - DECKENMONTAGE - SISTEMATECHO - SYSTEM SUFITOWY

| | | |
|----------|--------|--|
| Cod. | 753539 | |
| FIN | | |
| 25 - 312 | | |
| 65 - 67 | | |

| | | |
|----------|--------|--|
| Cod. | 753534 | |
| FIN | | |
| 25 - 312 | | |
| 65 - 67 | | |

| | | |
|----------|--------|--|
| Cod. | 753535 | |
| FIN | | |
| 25 - 312 | | |
| 65 - 67 | | |

| | | | |
|----------|--------|--------|--------|
| Cod. | | 164100 | 163055 |
| FIN | I - mt | 1 | |
| 25 - 312 | | | |
| 67 | | | |

| | | | |
|----------|--------|--------|--------|
| Cod. | | 253120 | 253135 |
| FIN | I - mt | 1 | |
| 25 - 312 | | | |
| 65 - 67 | | | |